

Warewashing
Medium hot air blower zone without
door for single rinse Rack Type
dishwasher

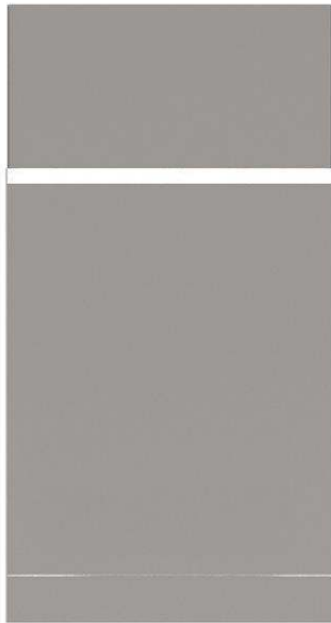
ITEM # _____

MODEL # _____

NAME # _____

SIS # _____

AIA # _____


534059 (NMHSDRE56)

Medium hot air blower zone without door for single rinse Rack Type dishwasher, 50Hz & 60Hz

Short Form Specification

Item No. _____

Unit to be medium hot air blower without door suitable to be installed with single rinse rack type dishwasher. Electrical characteristics to be _ 400V three phase, 50Hz & 60Hz operation. The addition of the external air reduces the internal humidity thus increasing the drying efficiency without high energy consumption. Construction in AISI 304 stainless steel. Suitable for any feeding direction of the dishwasher thanks to easy reversibility on-site. Full pre-arrangement to be connected with single rinse rack type dishwasher without any modification.

Main Features

- Electronically controlled to optimize drying results.
- Drying zone removes most of water from the crockery through a high powered fan that extracts dry air from outside mixing it with the internal air, thus providing dry plates at a temperature cool enough to handle safely.
- All main components made in heavy duty anti-corrosive 304 type stainless steel: internal chamber, external, front and side panels and rack transportation system.
- IP25 protection against water jets, solid objects and small animals (larger than 6 mm).
- The feeding direction can be either left to right or right to left as it's reversible on site.
- Unit to be placed between single rinse rack type dishwasher and handling system.

Construction

- The chamber is pressed with fully rounded corners without internal pipes and therefore no hidden dirt traps.

Sustainability



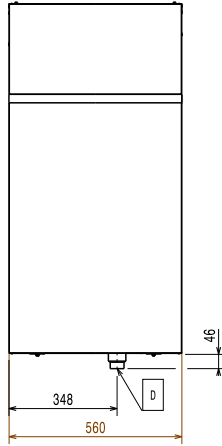
- The unit is built on modularity concept to easily connect with single-rinse rack type dishwasher without any modification including power connection.

Optional Accessories

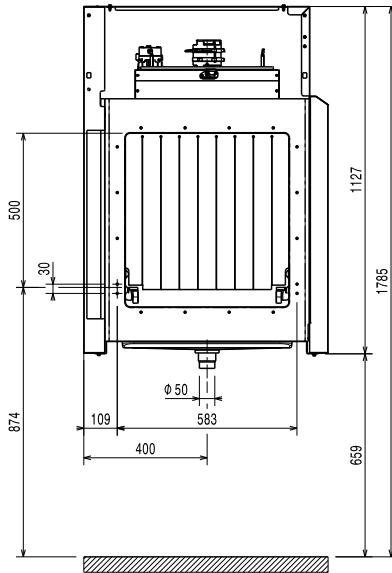
- Plain undershelf with hole for drain for Hot Air Blower, 560 mm PNC 863228
- Grid undershelf for Hot Air Blower, 555 mm PNC 863229
- Pair of legs for long conveyors connected directly to the Rack Type Dishwasher with hot air blower PNC 865477

APPROVAL: _____

Front

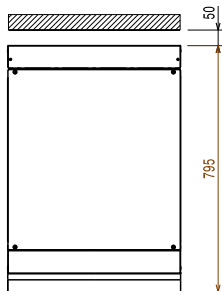


Side



- D = Drain
- EI = Electrical inlet (power)
- EO = Electrical Outlet
- EQ = Equipotential screw
- ES = Electrical signal IN/OUT
- U = USB port

Top



Electric

| | |
|--------------------------|--------------------------|
| Supply voltage: | 380-415 V/3N ph/50/60 Hz |
| Default Installed Power: | 4.4 kW |
| Dryer heating elements: | 4.13 kW |
| Drying fan power: | 0.23 kW |

Key Information:

Reference norm used to measure the noise:
IEC60335-2-58 annex AA.

| | |
|------------------------------|-----------------------|
| Charging hole size (width): | 530 mm |
| External dimensions, Width: | 560 mm |
| External dimensions, Depth: | 795 mm |
| External dimensions, Height: | 1130 mm |
| Charging hole size (height): | 490 mm |
| Shipping height: | 1310 mm |
| Shipping width: | 920 mm |
| Shipping depth: | 610 mm |
| Shipping volume: | 0.74 m ³ |
| Dryer air flow: | 540 m ³ /h |
| Dryer air temperature: | 70 °C |

Sustainability

| | |
|--------------|---------|
| Noise level: | <62 dBA |
|--------------|---------|